



2-year warranty

**Type overview**

<b>Type</b>	<b>DN</b>
ZONE320N-35	20

**Technical data**

<b>Functional data</b>	Valve size [mm]	0.75" [20]
	Fluid	chilled or hot water, up to 50% glycol
	Fluid Temp Range (water)	32...212°F [0...100°C]
	Body Pressure Rating	300 psi
	Close-off pressure $\Delta$ ps	30 psi
	Flow characteristic	on/off, diverting
	Flow Pattern	3-way
	Leakage rate	ANSI Class III 0.1%
	Cv	3.5
<b>Materials</b>	Valve body	forged brass
	Housing seal	EPDM
	Stem	stainless steel
	Seat	EPDM
	Pipe connection	NPT
<b>Suitable actuators</b>	Spring	ZONE

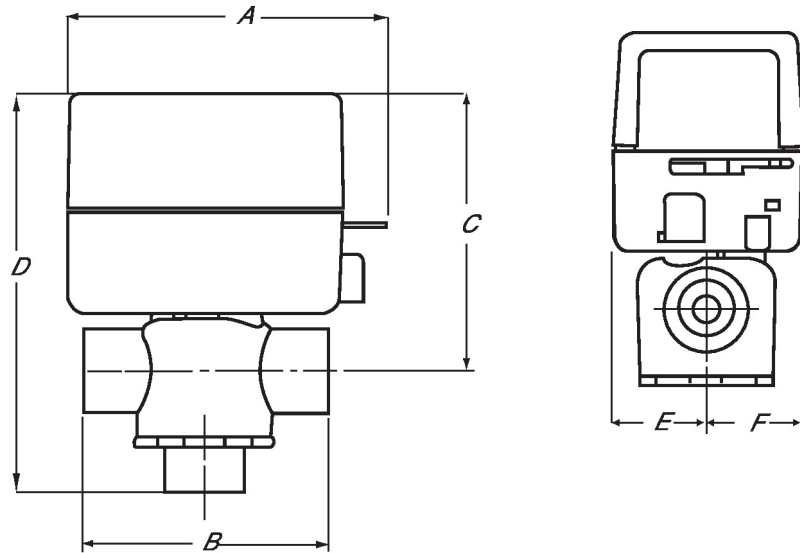
**Product features**

**Application** This valve is typically used on fan coil units, baseboards or other hydronic applications where fail safe operation on 2-wire control is required. This valve is suitable for use in a hydronic system with variable or constant flow.

This valve is designed to fit in compact areas where on/off or control is required using 24 VAC or 120 VAC.

**Dimensions**

<b>Type</b>	<b>DN</b>	<b>Weight</b>
ZONE320N-35	20	1.32 lb [0.60 kg]



A	B	C	D	E	F
4.0" [102]	2.8" [70]	3.5" [89]	5.0" [127]	1.2" [30]	1.2" [31]